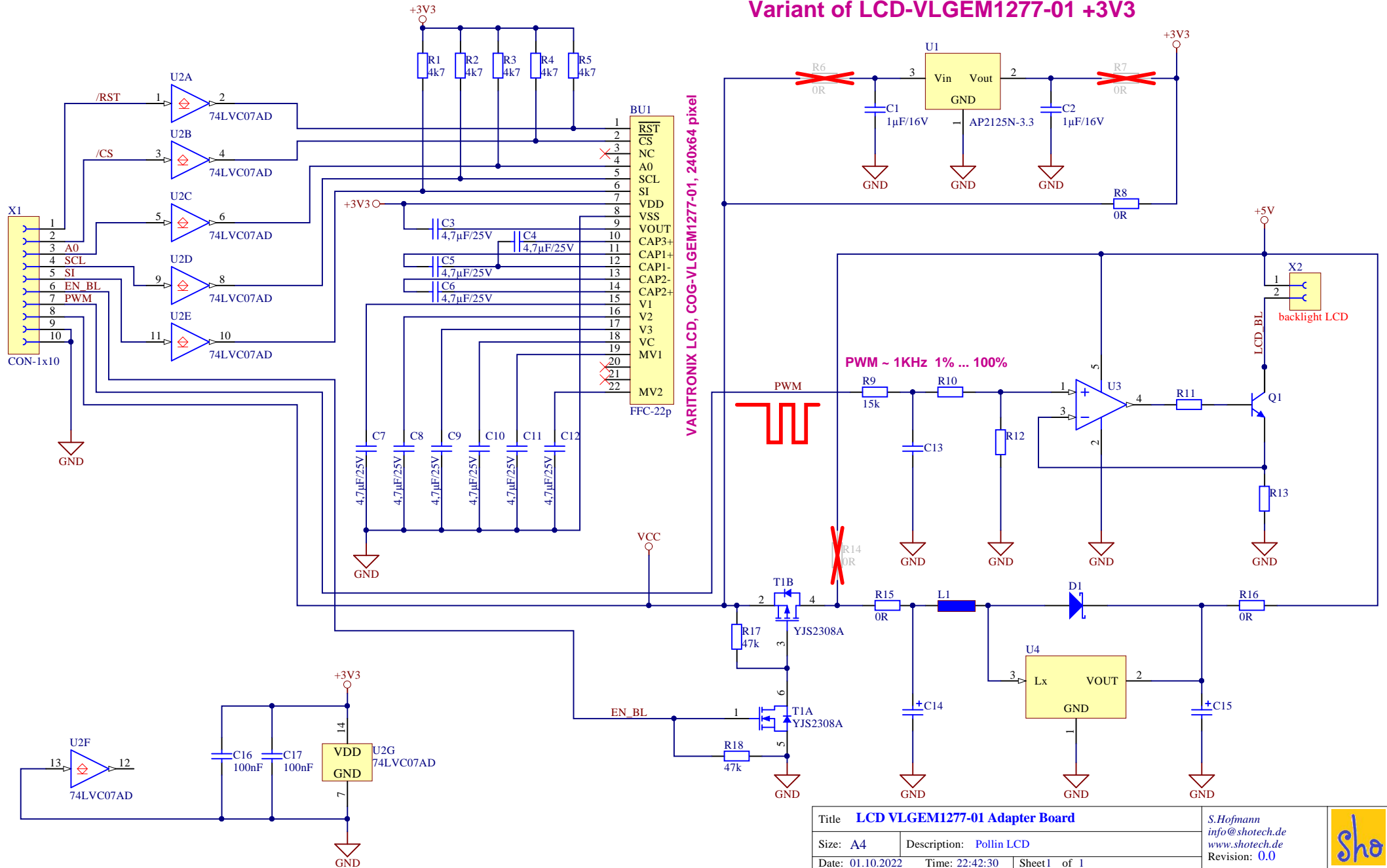
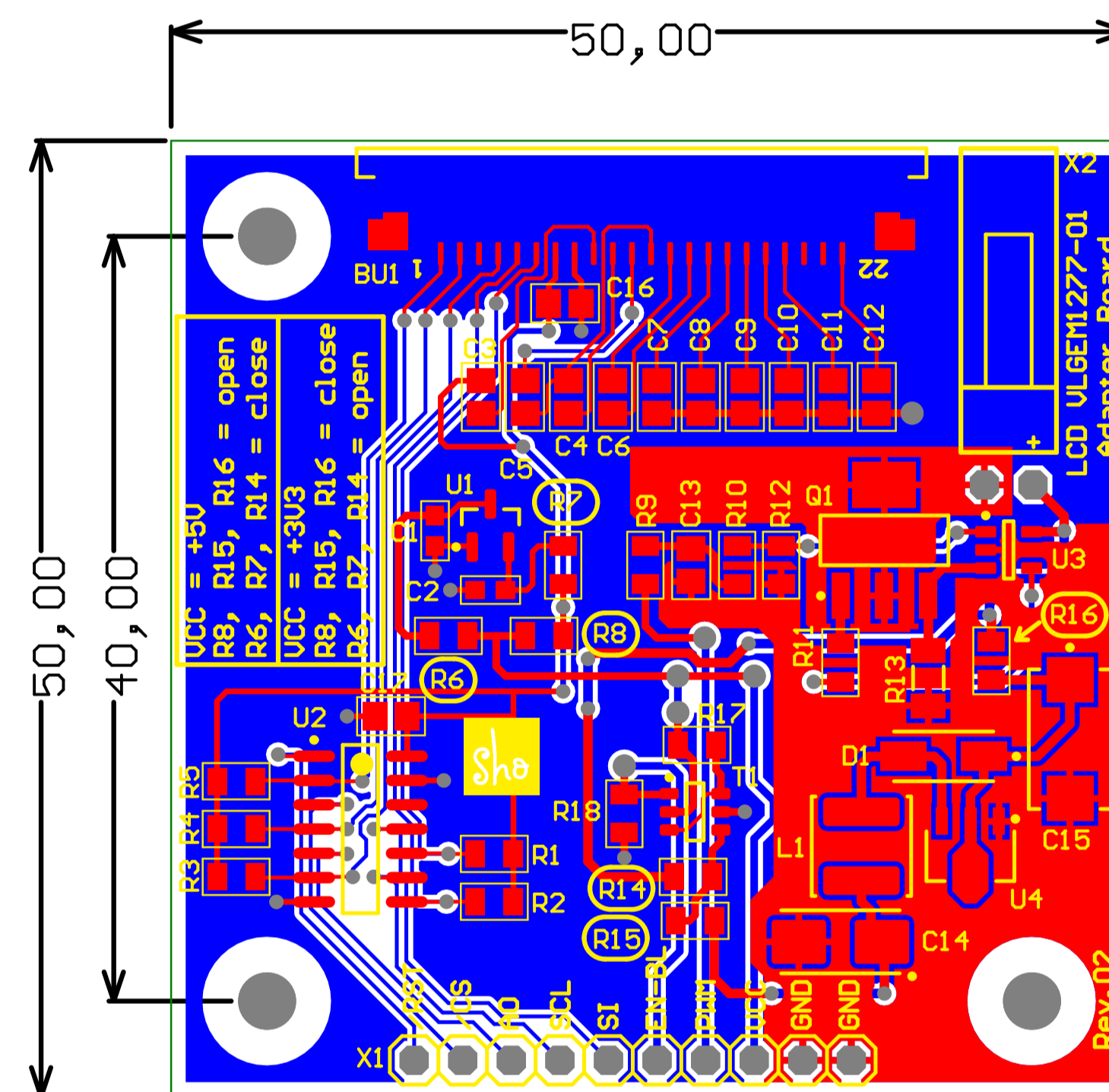


# Variant of LCD-VLGEM1277-01 +3V3



Title <b>LCD VLGEM1277-01 Adapter Board</b>		S.Hofmann info@shotech.de www.shotech.de Revision: 0.0	
Size: A4	Description: Pollin LCD		
Date: 01.10.2022	Time: 22:42:30	Sheet 1 of 1	
File: Board-VLGEM1277-01.SchDoc			



UCC = +5V  
 R8, R15, R16 = open  
 R6, R7, R14 = close  
 PWM = 1KHz, 5Vpp  
 R9 = 115k / 0805

UCC = +3V3  
 R8, R15, R16 = close  
 R6, R7, R14 = open  
 PWM = 1KHz 3,3Vpp  
 R9 = 15k / 0805