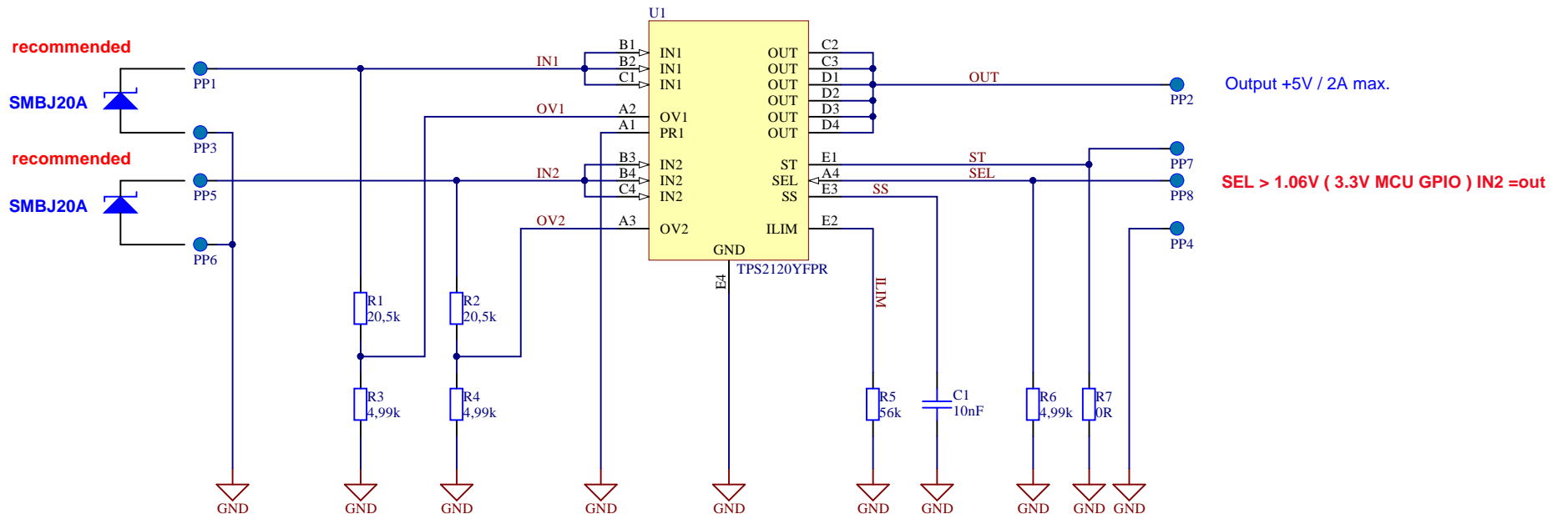


recommended

SMBJ20A

recommended

SMBJ20A




Output +5V / 2A max.

SEL > 1.06V (3.3V MCU GPIO) IN2 =out

LP1
pcb
LP

(c) shotech 2023

Title Power Mux TPS2120		<i>S.Hofmann</i> info@shotech.de www.shotech.de Revision: 0.1		
Size: A4	Description: Power			
Date: 16.03.2023	Time: 21:57:10			Sheet 1 of 1
File: Power_Mux_2120_Sheet1.SchDoc				

