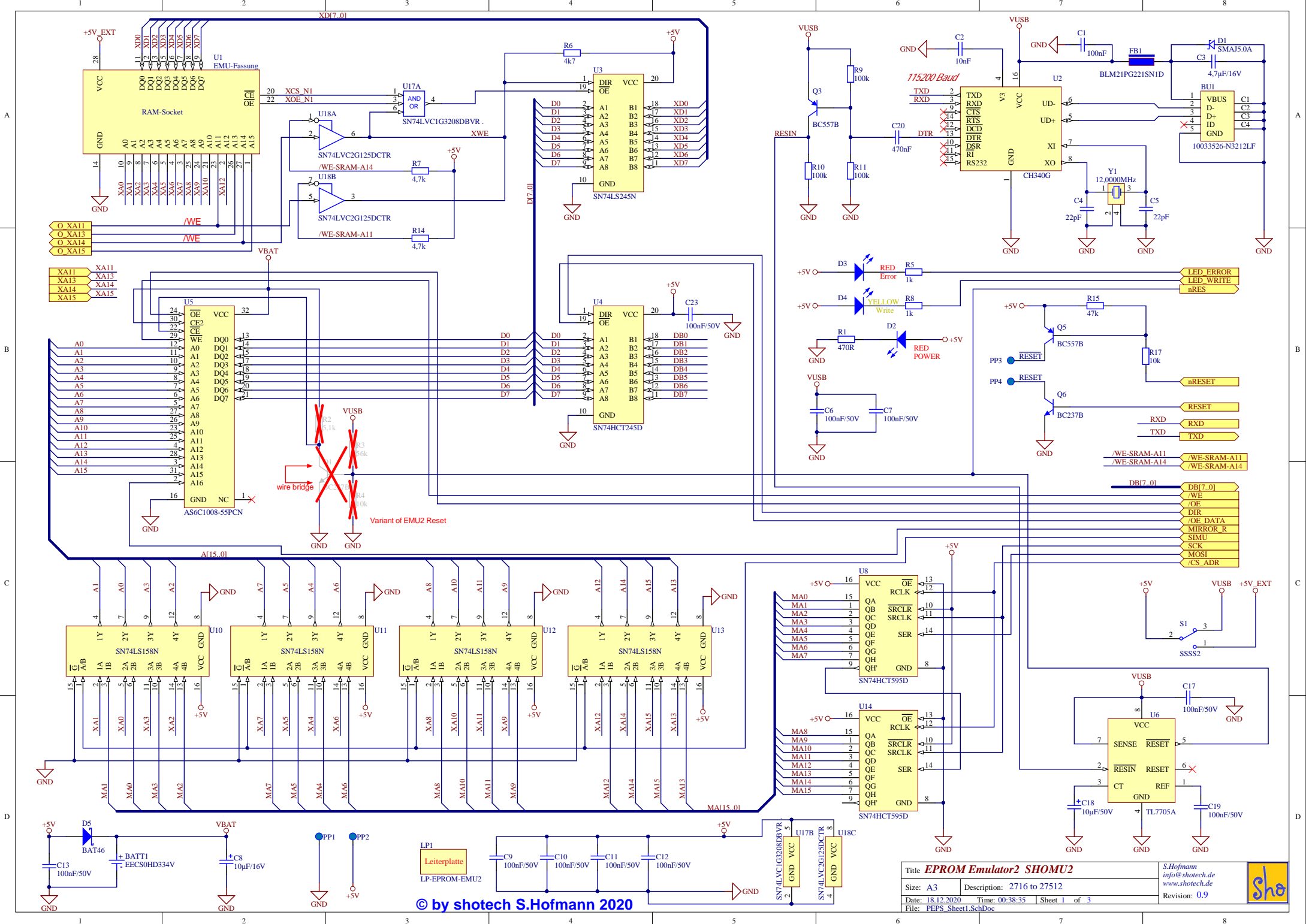
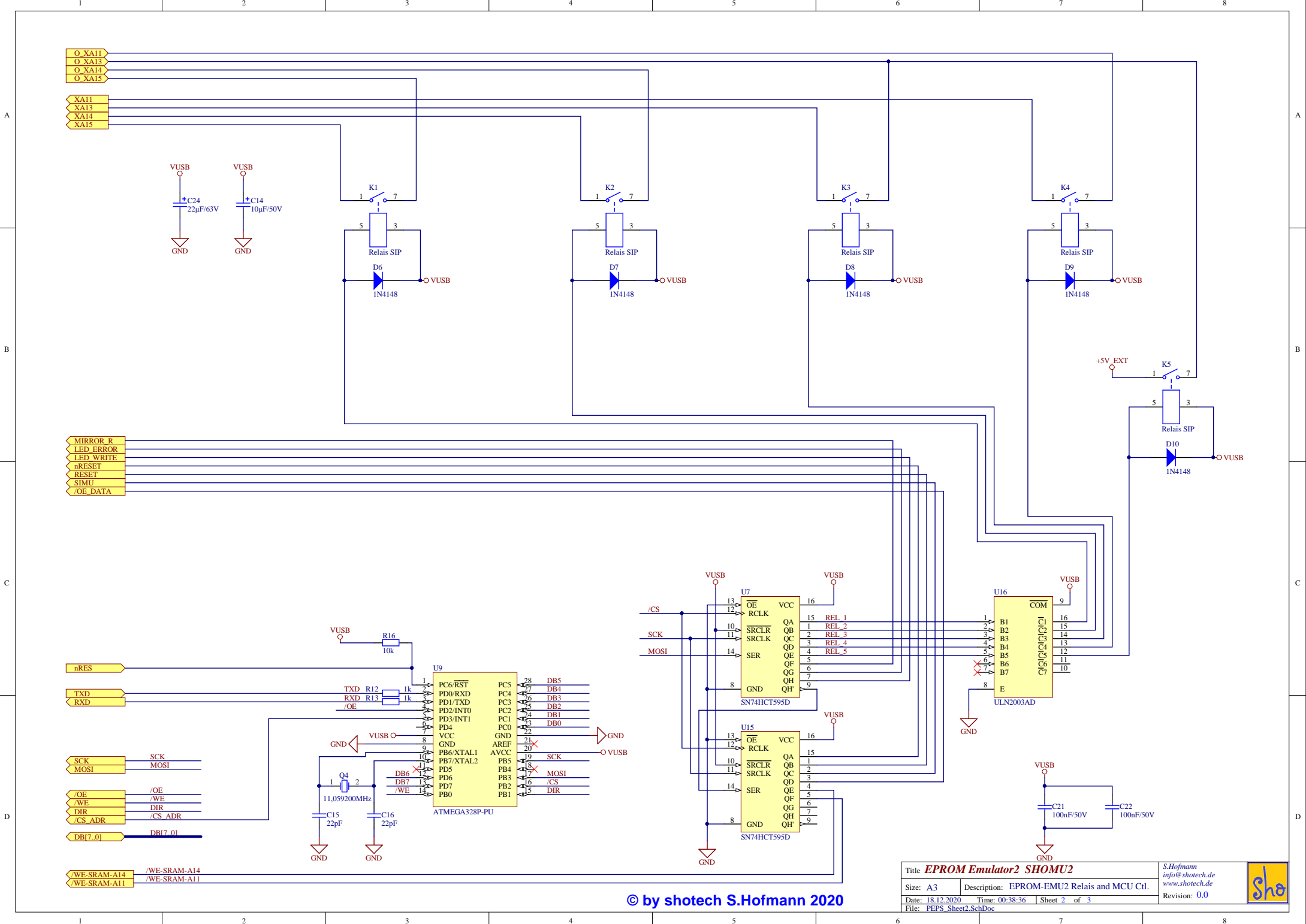


© by shotech S.Hofmann 2020

Title <b>EPROM Emulator2 SHOMU2</b>		S.Hofmann info@shotech.de www.shotech.de	
Size: A3	Description: Overview		Revision: 0.0
Date: 18.12.2020	Time: 00:38:35	Sheet 0 of 3	
File: PEPS_Sheet0.SchDoc			







© by shotech S.Hofmann 2020

Title <b>EPROM Emulator2 SHOMU2</b>		S.Hofmann info@shotech.de www.shotech.de	
Size: A3	Description: EPROM-EMU2 Relais and MCU Cl.		Revision: 0.0
Date: 18.12.2020	Time: 00:38:36	Sheet 2 of 3	
File: PEPS_Sheet2.SchDoc			



130,00

70,00

**EPROM-EMU2-USB-2019**

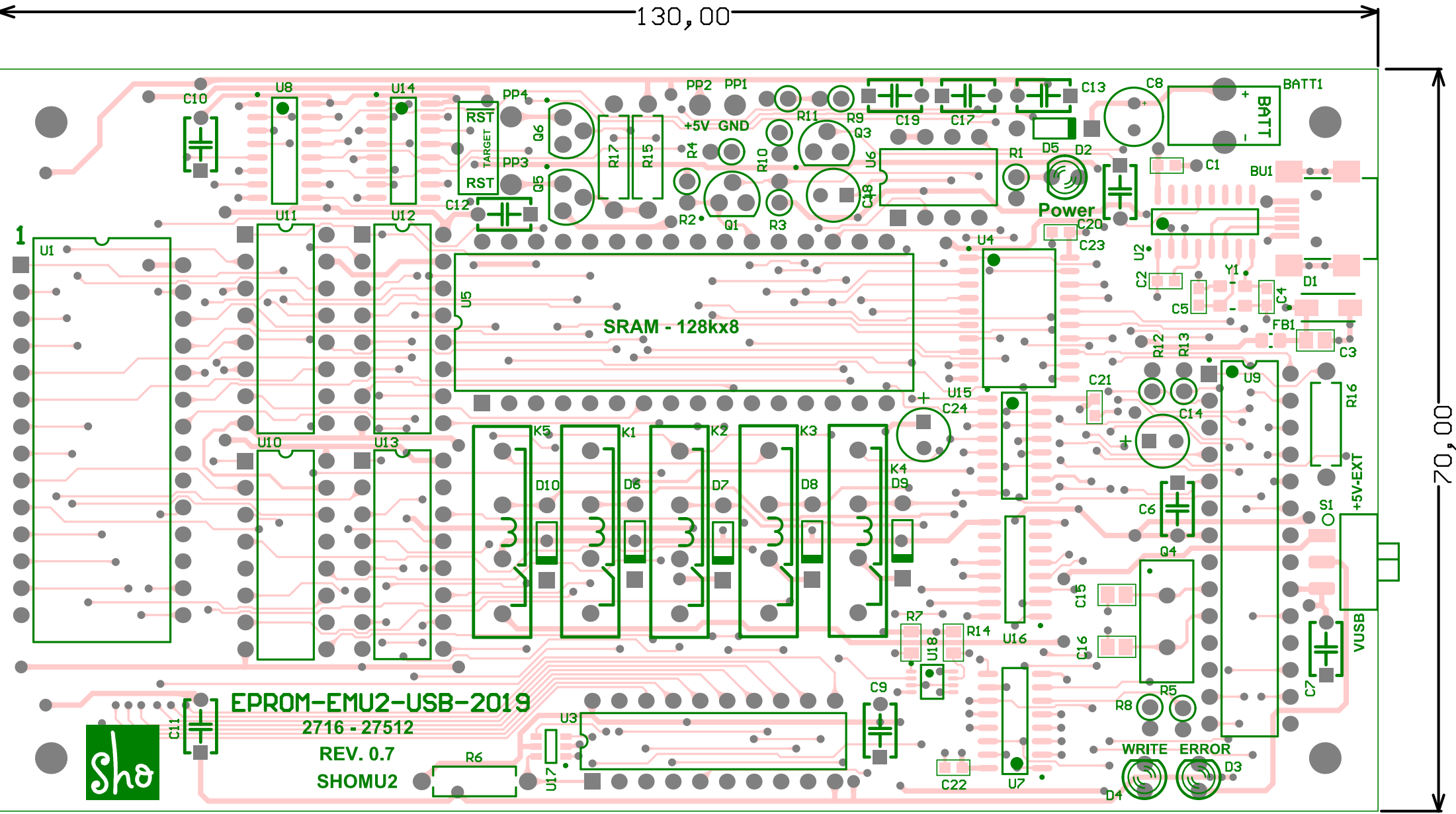
2716 - 27512

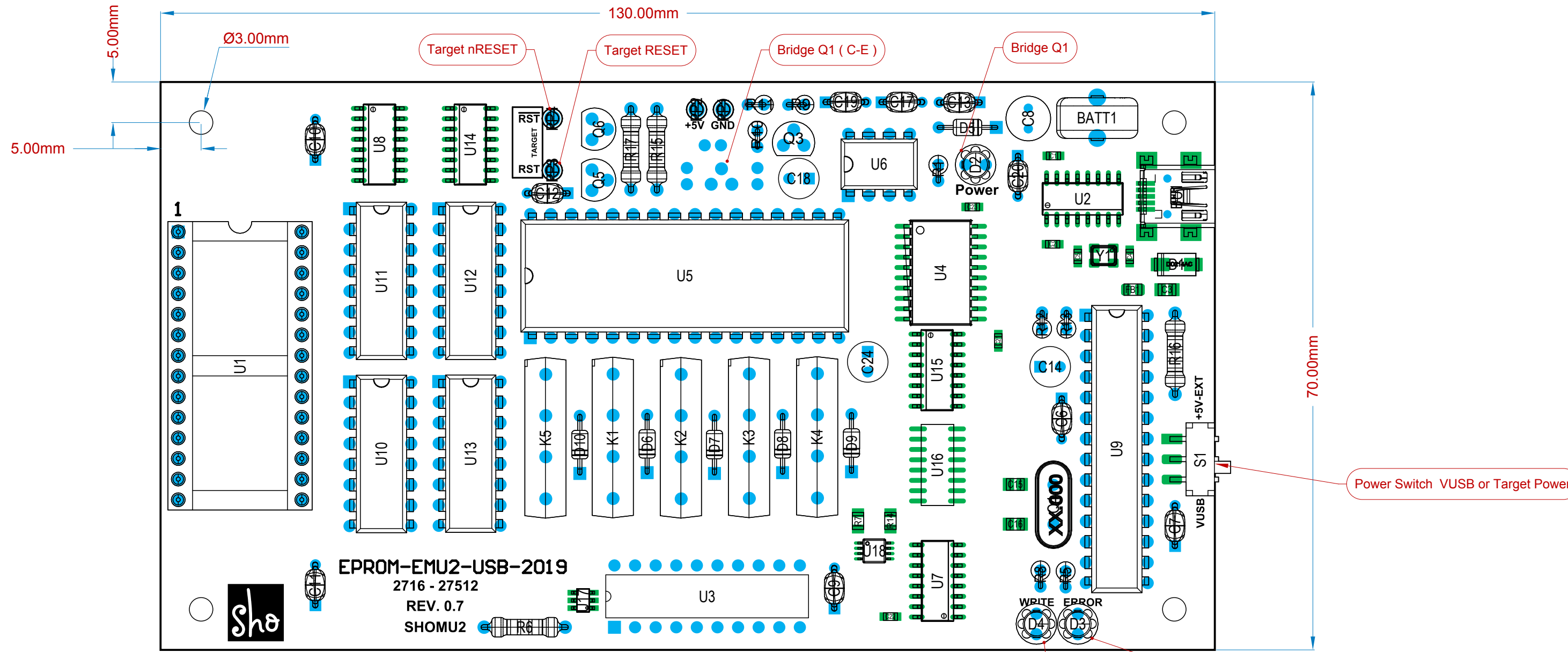
REV. 0.7

SHOMU2

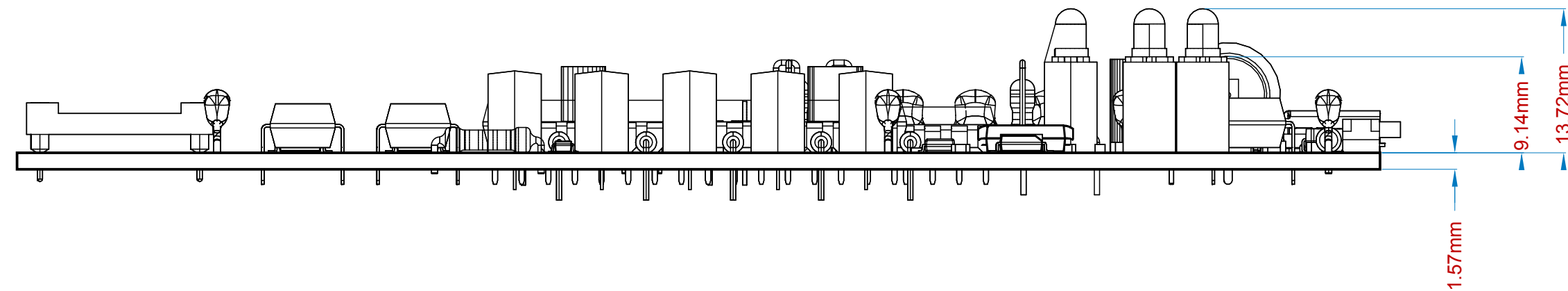


SRAM - 128kx8





Item	Designator	Comment	Quantity
1	BATT1	EECS0HD334V	1
2	BU1	10033526_N3212LF	1
3	C1	100nF	1
4	C14, C18	10µF/50V	2
5	C6, C7, C9-C13, C17, C19, C21-C23	100nF/50V	12
6	C2	10nF	1
7	C20	470nF	1
8	C24	22µF/63V	1
9	C3	4,7µF/16V	1
10	C4, C5, C15, C16	22pF	4
11	C8	10µF/16V	1
12	D1	SMAJ5.0A	1
13	D6-D10	1N4148	5
14	D2, D3	LED_3mm ROT	2
15	D4	LED_3mm Gelb	1
16	D5	BAT46	1
17	FB1	BLM21PG221SN1D	1
18	K1-K5	Relais SIP	5
19	PP1-PP4	Prüfpunkt	4
20	Q3, Q5	BC557B	2
21	Q4	11,059200MHz	1
22	Q6	BC237B	1
23	R1	470R	1
24	R9-R11	100k	3
25	R7, R14	4,7k	2
26	R15	47k	1
27	R16, R17	10k	2
30	R5, R8, R12, R13	1k	4
31	R6	4k7	1
32	S1	SSSS2	1
33	U1	RAM-Socket	1
34	U10-U13	SN74LS158N	4
35	U16	ULN2003AD	1
36	U17	SN74LVC1G3208DBVR	1
37	U18	SN74LVC2G125DCTR	1
38	U2	CH340G	1
39	U3	SN74LS245N	1
40	U4	SN74HCT245D	1
41	U5	AS6C1008-55PCN	1
42	U6	TL7705A	1
43	U7, U8, U14, U15	SN74HCT595D	4
44	U9	ATmega328P	1
45	Y1	XTAL	1



Layer Stack Legend

Material	Layer	Thickness	Dielectric Material	Type	Gerber
	Top Paste			Paste Mask	GTP
	Top Overlay			Legend	GTO
Surface Material	Top Solder	0.01mm	Solder Resist	Solder Mask	GTS
Copper	Top Layer	0.04mm		Signal	GTL
		1.50mm	FR-4	Dielectric	
Copper	Bottom Layer	0.04mm		Signal	GBL
Surface Material	Bottom Solder	0.01mm	Solder Resist	Solder Mask	GBS
	Bottom Overlay			Legend	GBO
	Bottom Paste			Paste Mask	GBP
Total thickness: 1.59mm					

THE INFORMATION CONTAINED IN THIS DRAWING IS THE SOLE PROPERTY OF shotech Steffen Hofmann. ANY REPRODUCTION IN PART OR AS A WHOLE WITHOUT THE WRITTEN PROPRIETARY AND CONFIDENTIAL

		UNLESS OTHERWISE SPECIFIED:		NAME	DATE	shotech Steffen Hofmann	
		DIMENSIONS ARE IN INCHES		DRAWN	18.12.2020	TITLE	
		TOLERANCES:		CHECKED		Eprom Emulator2 - 2716 - 27512	
		FRACTIONAL ±		ENG APPR.		SIZE DWG. NO.	
		ANGULAR: MACH ± BEND ±		MFG APPR.		00232019	
		TWO PLACE DECIMAL ±		Q.A.		SCALE: 1:1 WEIGHT: SHEET 1 OF 1	
		THREE PLACE DECIMAL ±		COMMENTS:			
		INTERPRET GEOMETRIC TOLERANCING PER:					
		MATERIAL					
		FINISH					
NEXT ASSY	USED ON	APPLICATION					
		DO NOT SCALE DRAWING					



© by shotech S.Hofmann 2020