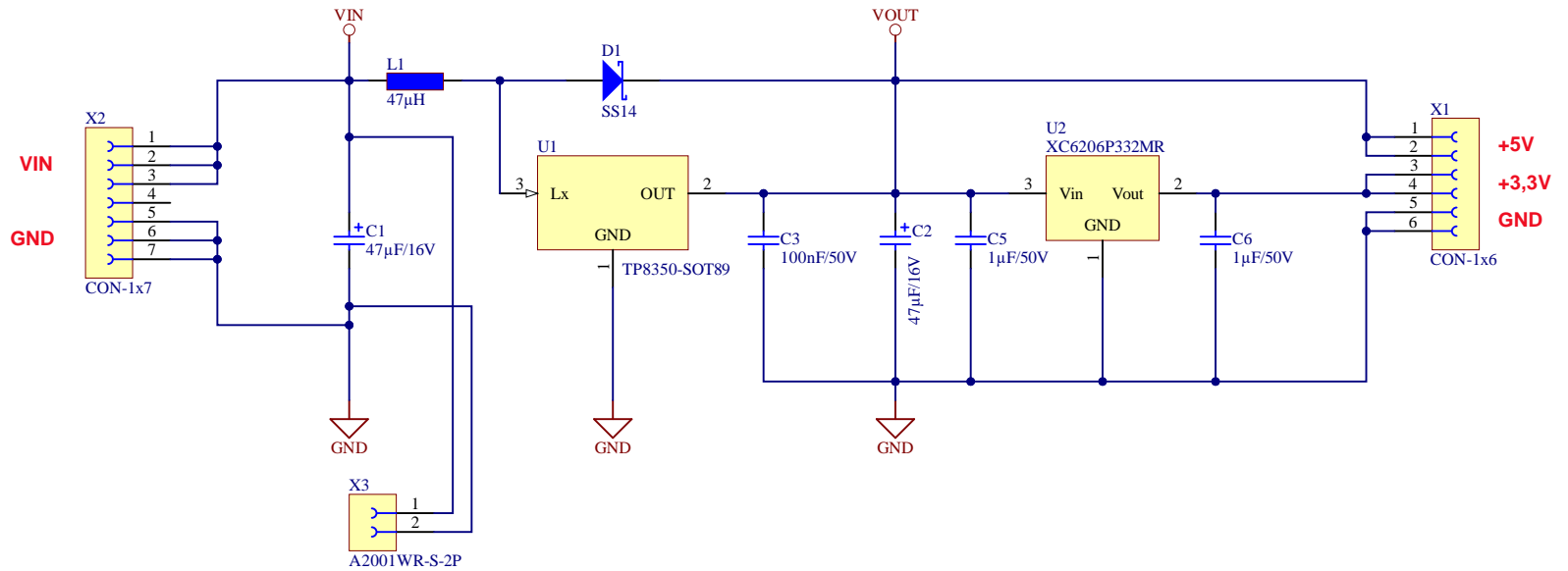


VIN = 3.0 V - out = 5V @500mA
 VIN = 2.2 V - out = 5V @300mA

Ideal for Li-Ion, Li-Polymer input



LP1
 Leiterplatte
 LP

Z1
 Passermarke

Z2
 Passermarke

Title **TP8350 VFM StepUp Board**

Size: A4 Description: TP8350

Date: 25.02.2025 Time: 15:04:40 Sheet 1 of 1

File: TP8350-Sheet1.SchDoc

S.Hofmann
 info@shotech.de
 www.shotech.de
 Revision: 0.2a



