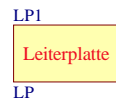
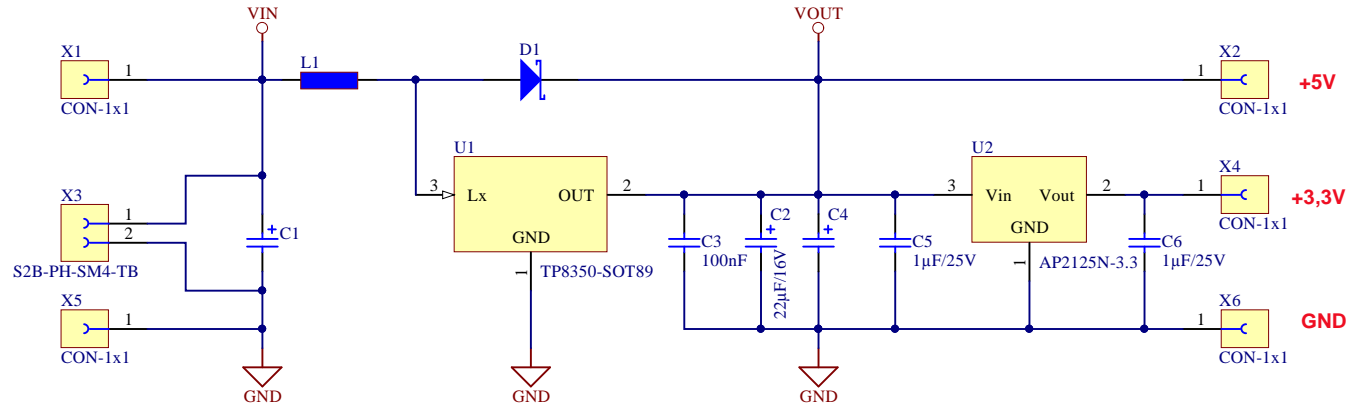


VIN = 3.0 V - out = 5V @500mA

VIN = 2.2 V - out = 5V @300mA

Ideal for Li-Ion, Li-Polymer input



Title TP8350 VFM StepUp Board		S.Hofmann info@shotech.de www.shotech.de Revision: 0.1	
Size: A4	Description: TP8350		
Date: 05.12.2022	Time: 19:13:26	Sheet 1 of 1	
File: TP8350-Sheet1.SchDoc			

