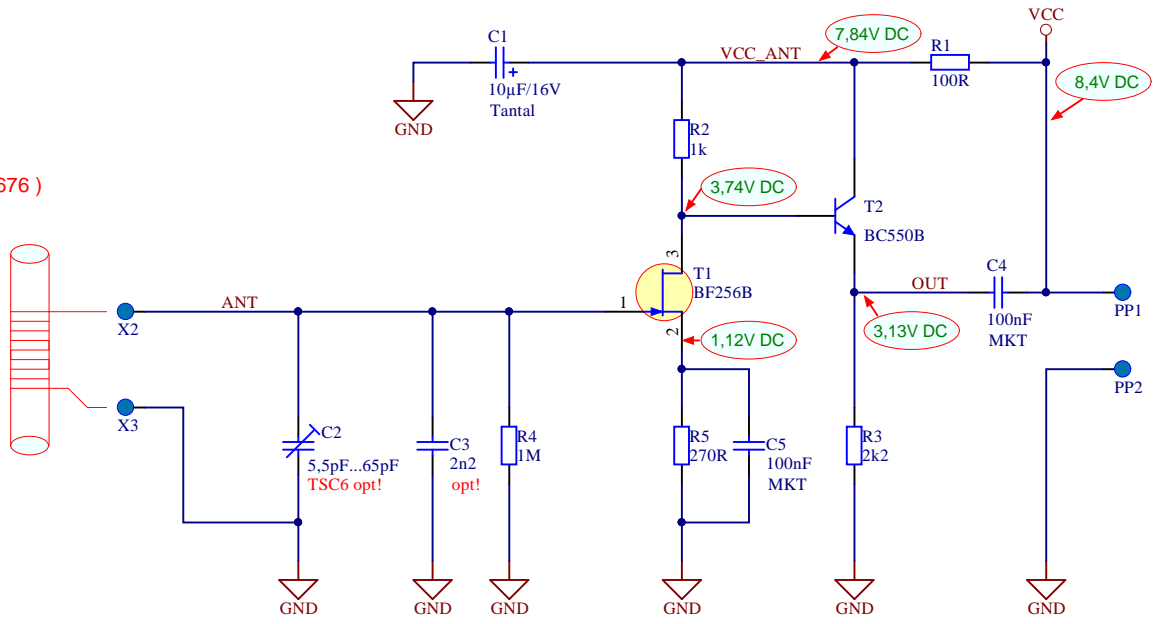


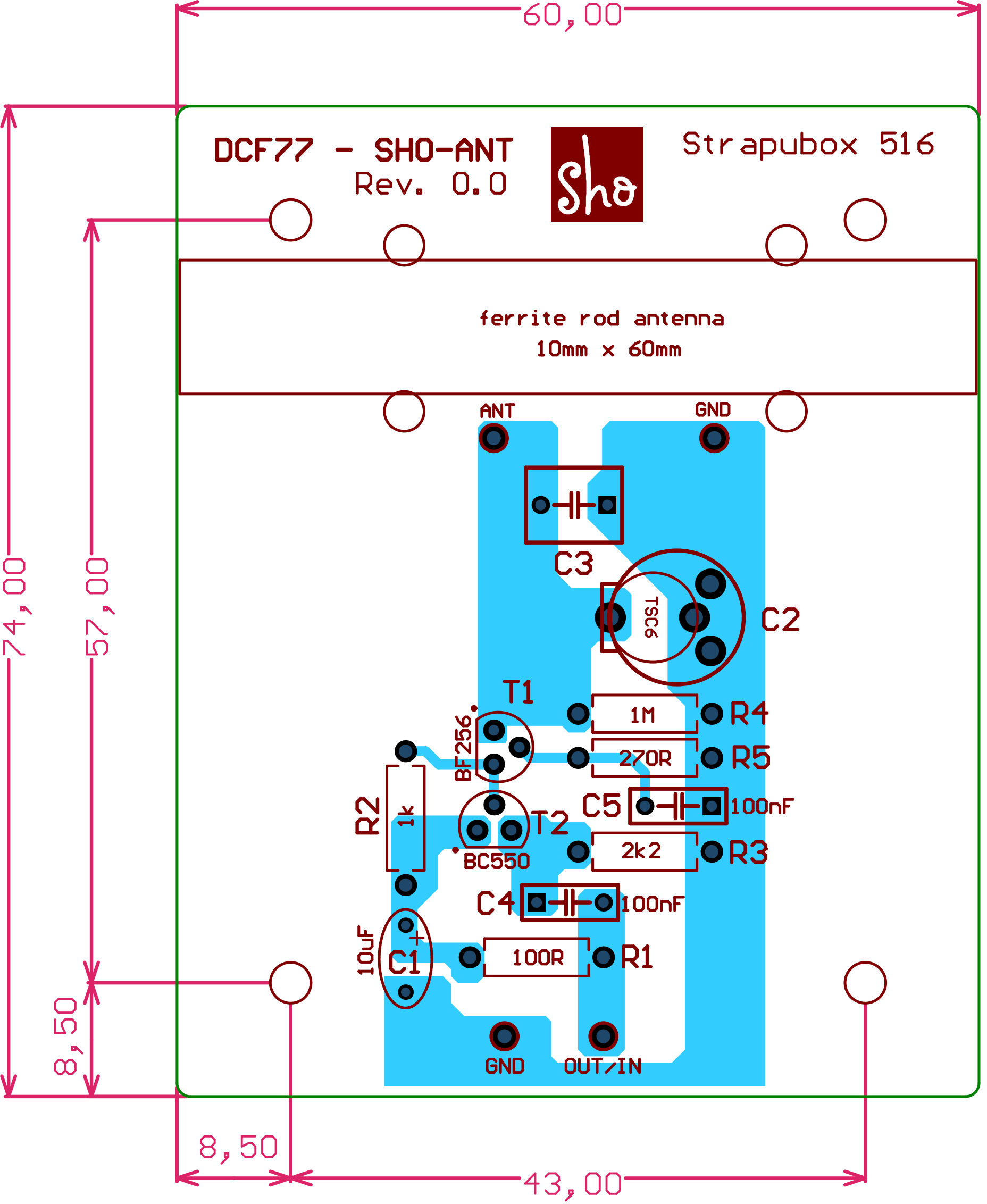
ferrite rod antenna ( shotech 001676 )  
do not mount C2 and C3

Optional  
10mm x 60mm Ferrit  
250 turns 0,2mm



LP1  
Bare-PCB  
LP

Title <b>DCF-77 aktiv Antenne</b>		S.Hofmann info@shotech.de www.shotech.de Revision: 0.0	
Size: A4	Description: DCF-77		
Date: 28.06.2020	Time: 00:08:03	Sheet 1 of 1	
File: DCF-SHO-ANT-Sheet1.SchDoc			





Bearbeiter: S. Hofmann  
 Tel: 040 /  
 Fax: 040 / 76906856  
 Email: [shop@shotech.de](mailto:shop@shotech.de)

## Bill of Materials

<b>Datum:</b>	28. Juni 2020
<b>Zeit:</b>	0:08:06
<b>Variante:</b>	None
<b>Bezeichnung:</b>	DCF-77 aktiv Antenne
<b>Revision:</b>	0.0

Quantity	Designator	Footprint	Bemerkung	Value	MFT	Order-code	shotech
1	C1	CAPNTO5.08-7.37x3.94	10uF 16V 10% (5 X 10.5mm) Radial 5mm 3.2 Ohm 125°C 10%	10µF/16V	AVX	TAP106K016CRS	001681
1	C2	BFC-808-Trimm - TSC6	Trimmer / Drehkondensatoren	5,5pF...65pF	Vishay	BFC280831659	
1	C3	CAP_Radial_5MM_7k2_5k5	Folienkondensator, 2,2nF, 630V, RM5, 2,5%	2n2	WIMA	FKP2J012201G00HSSD	
2	C4, C5	CAP_Radial_5MM_7k2_2k5	Folienkondensator, 100nF, 63V, RM5, 10%	100nF	KEMET	R82DC3100AA50K	001682
1	LP1		PCB DCF77 Antenna Amplifer for Strapubox 516	LP	shotech	DCF77-SHO-ANT	001683
4	PP1, PP2, X2, X3	PP-RTM1364E-Z	Lötstift quadr. 1,05x10mm verzinkt	RTM1364E-Z	Vogt	1364E.68	001570
1	R1	RESADV200W55L630D240P	WIDERSTAND, 207, 1%	100R			001678
1	R2	RES10-7.8X2.8 - 1k	Metallsch. 0207 1/4W 1%	1k	frei	RMGK001	001235
1	R3	RES10-7.8X2.8 - 2k2	WIDERSTAND, 207, axial, 1%	2k2	frei	RMGK002.2	001238
1	R4	RES10-7.8X2.8	WIDERSTAND, 207, 1%	1M			001668
1	R5	RES10-7.8X2.8	WIDERSTAND, 207, axial, 1%	270R			001677
1	T1	SC_TO-92	JFET N-CH 30V 13MA TO92	BF256B	On Semiconductor	BF256B	000865
1	T2	SC_TO-92	Bipolar (BJT) Transistor NPN 45V 100mA 300MHz 500mW Through Hole TO-92-3	BC550B	Foshan Blue Rocket Elec	BC550B	001679
17							