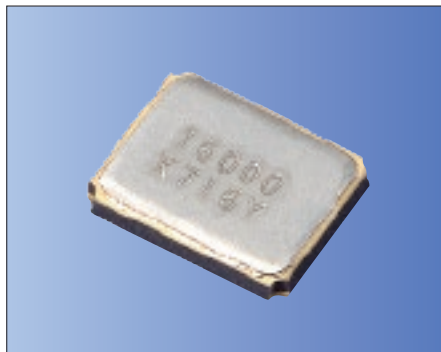


3.2×2.5mm for Consumer Products/ Mobile Communications/ Automotive



RoHS Compliant

Features

- Crystal unit for Consumer Products
- Miniature and low profile (3.2×2.5×0.55mm)
- Ceramic package
- Reflow compatible
- AEC-Q200 qualified
(Please contact us for Automotive use)

Applications

- Digital Electronics
- Consumer Products
- Car Electronics
- Mobile Communications, Bluetooth®, Wireless LAN

* Bluetooth® Trademarks are owned by Bluetooth SIG Inc.

How to Order

CX3225SB 12000 □□ □ □ □ □ □ □
① ② ③ ④ ⑤ ⑥ ⑦

- ① Series
- ② Frequency
- ③ Load Capacitance
- ④ Frequency Tolerance
- ⑤ Operating Temp. Range
- ⑥ Frequency Temp. Stability
- ⑦ Individual Specification

D0	8 pF	G	±15×10 ⁻⁶
EJ	-10 to +70°C		±15×10 ⁻⁶
LJ	-30 to +85°C		±15×10 ⁻⁶
PS	-40 to +125°C		±50×10 ⁻⁶

Packaging (Tape & Reel 1000/ 3000 pcs./ reel)

Specifications

Item	Symbol	Specification	Units	Remarks	
Frequency Range	f _{nom}	12000 to 54000	kHz		
Overtone Order	OT	Fundamental	—		
Load Capacitance	CL	8	pF	Please contact us for other Load Capacitance.	
Frequency Tolerance	f _{tol}	±15	×10 ⁻⁶	25°C±3°C	
Motional Series Resistance	R1	Table 1	ohm		
Drive Level	DL	Table 2	μW		
Operating Temp. Range	T _{use}	-10 to +70	-30 to +85	-40 to +125	°C
Storage Temp. Range	T _{stg}	-40 to +85		-40 to +125	°C
Frequency Temp. Characteristics	f _{tem}	±15		±50	×10 ⁻⁶ Freq. deviation from the value at 25°C

Please contact us for other specifications.

Table1 Motional Series Resistance

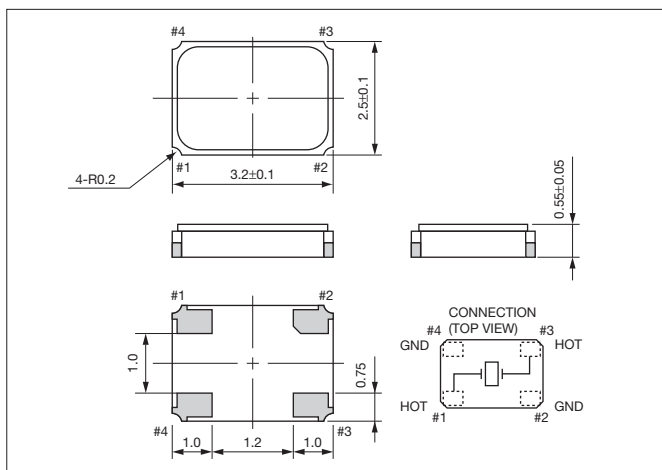
Frequency Range	Motional Series Resistance
12000 ≤ f _{nom} < 13000 kHz	150Ω max.
13000 ≤ f _{nom} < 20000 kHz	80Ω max.
20000 ≤ f _{nom} ≤ 54000 kHz	50Ω max.

Table2 Level of Drive

Frequency Range	Level of Drive
12000 ≤ f _{nom} ≤ 54000 kHz	10μW (100μW max.)

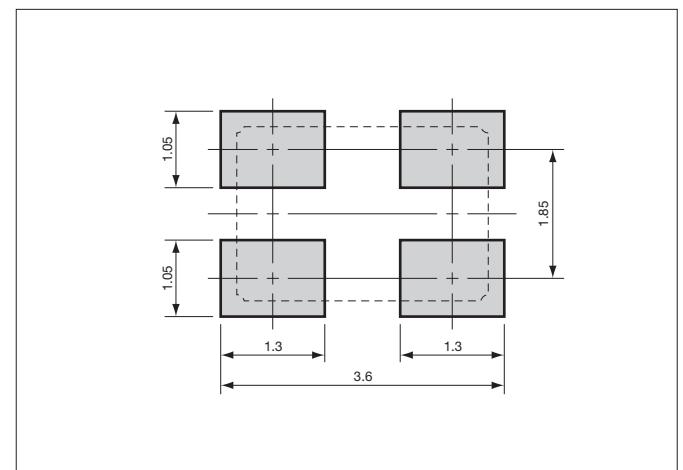
Dimensions

(Unit: mm)



Recommended Land Pattern

(Unit: mm)



Mouser Electronics

Authorized Distributor

Click to View Pricing, Inventory, Delivery & Lifecycle Information:

AVX:

[CX3225SB24576D0FEQZZ](#) [CX3225SB27000D0FEJZZ](#) [CX3225SB16000E0FPZ25](#) [CX101F-040.000-H0445](#)
[CX3225SB-16.00-H2950](#) [CX3225SB-26.00-H2827](#) [CX3225SB12000D0FLJZZ](#) [CX3225SB12288D0FLJZ1](#)
[CX3225SB13560D0FLJ14](#) [CX3225SB27000H0FZF33](#) [CX3225SB24576H0KESZZ](#) [CX3225SB26000D0FLJZZ](#)
[CX3225SB16000D0FLJZZ](#) [CX3225SB2000D0FPLCC](#) [CX3225SB25000D0FPLCC](#) [CX3225SB40000D0FPLCC](#)
[CX3225SB38400D0FPLCC](#) [CX3225SB40000D0FFFCC](#) [CX3225SB16000D0FPLCC](#) [CX3225SB12000D0FFJCC](#)
[CX3225SB13560D0FPLCC](#) [CX3225SB16000D0FFJCC](#) [CX3225SB19200D0FPLCC](#) [CX3225SB48000D0FFFCC](#)
[CX3225SB32000D0FPLCC](#) [CX3225SB30000D0FPLCC](#) [CX3225SB12000D0FPNCC](#) [CX3225SB24000D0FFJCC](#)
[CX3225SB48000D0FPLCC](#) [CX3225SB24000D0FPLCC](#) [CX3225SB27000D0FFFCC](#) [CX3225SB38400D0FFFCC](#)
[CX3225SB32000D0FFFCC](#) [CX3225SB27000D0FPLCC](#) [CX3225SB26000D0FFFCC](#) [CX3225SB25000D0FFFCC](#)
[CX3225SB20000D0FPLCC](#) [CX3225SB48000D0FPJC1](#) [CX3225SB54000D0WPSC1](#) [CX3225SB48000D0WPSC1](#)
[CX3225SB54000D0WPSC2](#) [CX3225SB48000D0FPJC2](#) [CX3225SB54000D0FPJC2](#) [CX3225SB54000D0FPJC1](#)
[CX3225SB48000D0WPSC2](#) [CX3225SB48000D0WPTC1](#) [CX3225SB54000D0WPTC1](#) [CX3225SB54000D0WPSC3](#)
[CX3225SB49152F0HELC1](#)